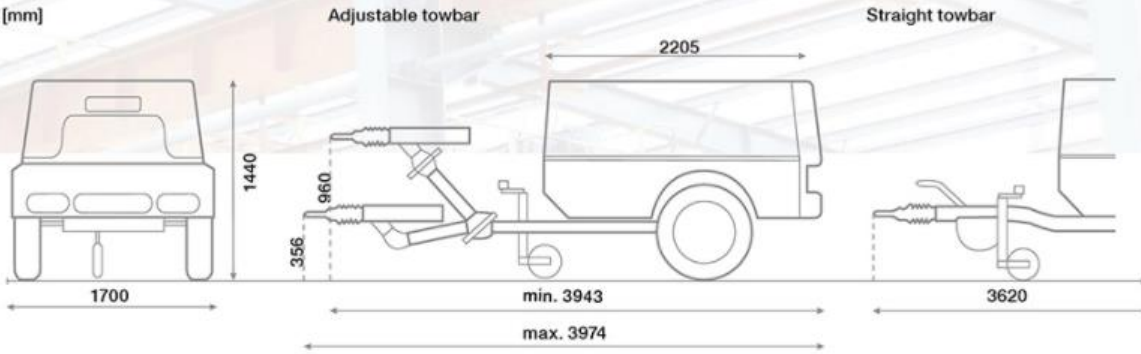
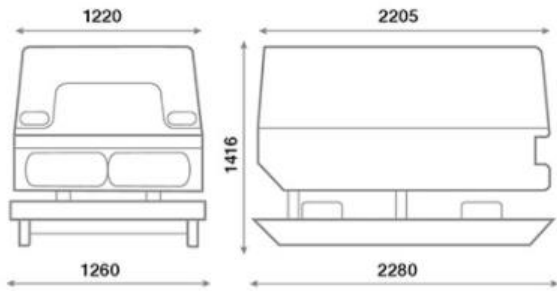


Technical Data - C55-14 to C76

[mm]



Skid mount



Base mount

